

Framing Guide for the Kittery Art Association

At intake, KAA staff will inspect the integrity of each frame prior to accepting the piece for gallery exhibition. The condition of each accepted piece reflects on KAA.

✓ CANVAS

- Sides are clean and there is no fraying
- Gallery wrapped edges are recommended
 - Staple stretched canvases are accepted if
 - staples are over-painted with the sides of the canvas, in a neutral or black tone
 - or all sides are covered carefully with fabric art tape of a neutral or black tone.

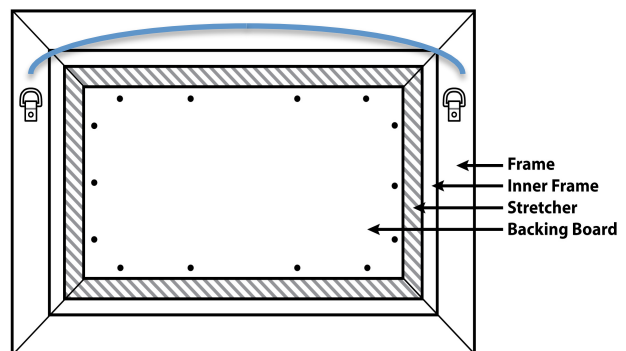
✓ GLASS

- Clean inside and outside with no chips or scratches

✓ FRAME

- If framed, all corners are sturdy and fresh
- Edges of frame are clean and free of nicks & marks
- Wire is fastened at $\frac{1}{4}$ to $\frac{1}{3}$ of overall height from top edge

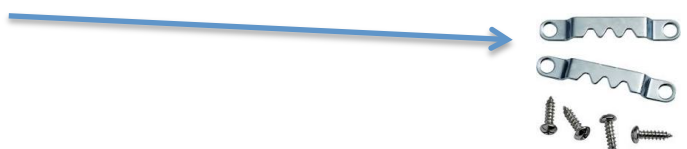
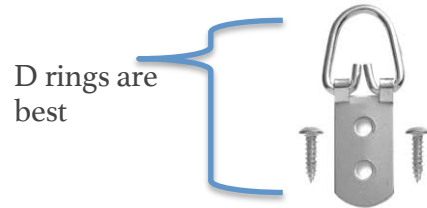
$\frac{1}{4}$ to $\frac{1}{3}$ H



Framing Guide for the Kittery Art Association

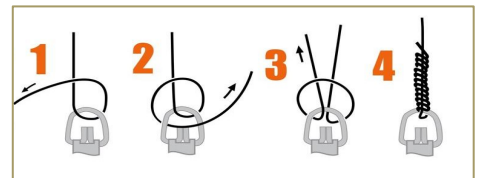
✓ FASTENERS

- Use screws, nails, cloth art tape, but *no masking tape*
- **D-rings of correct weight** is recommended
- **Screw-eyes** are okay if
 - installed sideways into stretcher to avoid scratching our gallery walls ----or cover them w/ cloth tape or bumpers
- **Saw-tooth hangers** are only acceptable *for very small lightweight pieces with no glass and up to 8" x 8" max*



✓ WIRE:

- **Braided wire** of correct weight, not too light!
 - avoid steel wire (rust) no frayed or rusty wire
 - avoid string
- **Plastic coated braided wire** is recommended
- Wire does not show from the front
- Wire is secure and neat



✓ IMPORTANT: Hardware is secured to the frame and not to backing board!

